

## Technical Data Mini Ronair

### I. General

Conveyor speed:	12m/min
Dry percentage:	98%
Sound pressure level:	80 dB(A) @1m
Product width:	200 mm
Fan:	4150 rpm (70Hz) 11kW - 3x400V 50 Hz - IE3
Weight:	565,5 kg

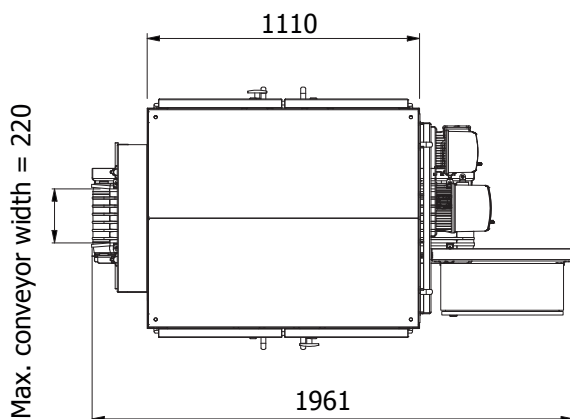
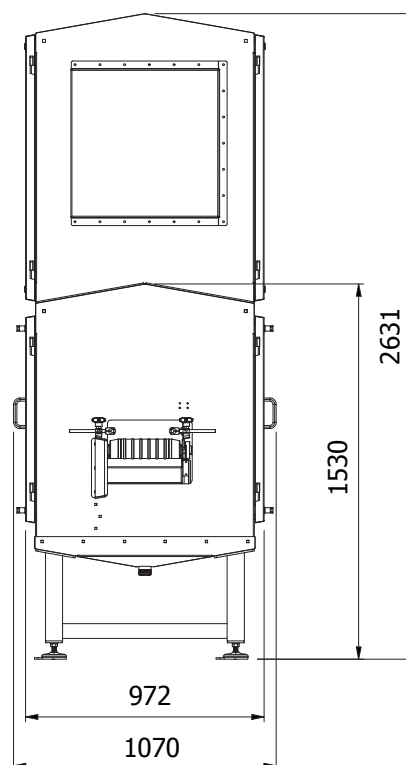
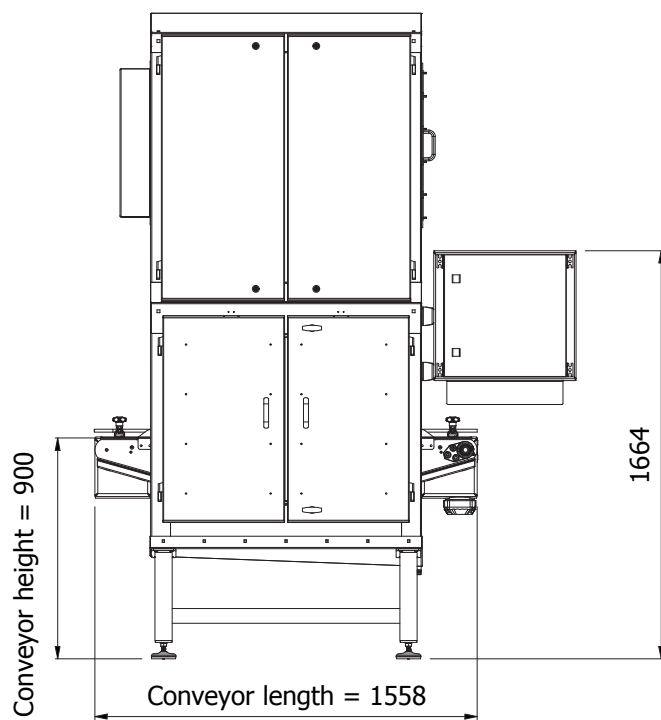


### II. Technology


- Drying by means of air knife technology, thus saving energy compared with compressed air.
- Suitable for manual application, but also for in-line transport system.
- Directly driven centrifugal fan.
- Frequency control for conveyor speed and fan speed adjustment.
- Fan in sound-absorbing casing.
- Vibration-free setup for the Fan.
- Height and width of the product can be adjusted manually.
- Construction in 304L stainless steel, sandblasted.

### III. Construction

- Built-in transport of the product over strings.
- Compact design with fan built above the conveyor.
- Sound-absorbing panels in the doors.
- Smooth finish to facilitate cleaning as much as possible with water drainage.
- Extremely easy to maintain, with replaceable filter.



Mini-Ronair

ITEM: <b>AS_MINIR_000</b>		DRAWER: GHU
DESCRIPTION:		DATE: 10/06/2021
		PROJECT:
MATERIAL:	WEIGHT: 566 kg	GENERAL TOLERANCES: ISO 2768-1
THIS DRAWING IS THE PROPERTY OF CYAGO NV AND PROTECTED BY DESIGN RIGH, AND IT CAN'T BE REPRODUCED TO THIRD PARTIES COPYRIGH CYAGO NV ALL RIGTHS RESERVED		 SHEET: <b>1/1</b>